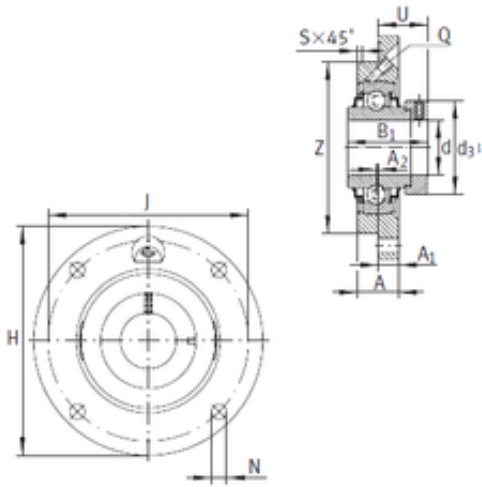




# NACHI BEARINGS TRAINING INDUSTRY



RME090 Bearing 2D drawings and 3D CAD models

## INA RME090 Flange-Mount Ball Bearing Units

Bearing No. RME090

Bore Diameter	90 mm
d	90 mm
U	62,5 mm
Thread (Q)	Rp1/8
Z	220 mm
d3	132 mm
A	50 mm
A1	22 mm
B1	101 mm
H	300 mm
J	260 mm
N	22 mm
S	6 mm
A2	3 mm
Weight	12,7 Kg
Basic dynamic load rating (C)	143 kN
Category	Flange Block Bearings
Inventory	0.0
Manufacturer Name	SCHAEFFLER GROUP
Minimum Buy Quantity	N/A
Weight / Kilogram	18.034
EAN	4012802808995
Product Group	M06110
Number of Mounting Holes	4
Mounting Method	Eccentric Collar
Housing Style	4 Bolt Round Flange



## NACHI BEARINGS TRAINING INDUSTRY

	Cartridge
Rolling Element	Ball Bearing
Housing Material	Cast Iron
Expansion / Non-expansion	Non-expansion
Mounting Bolts	22 Millimeter
Relubricatable	Yes
Insert Part Number	GNE90KRRB-FA107
Seals	Double Land Riding Rubber Contact
Housing Configuration	1 Piece Solid
Pilot Configuration	With Pilot
Inch - Metric	Metric
Long Description	4 Bolt Round Flange Cartridge; 90MM Bore; 260.2MM Bolt Circle; 183.8MM Bolt Spacing; 1 Piece Solid; Eccentric Collar Mount; Cast Iron; Ball Bearing; 101MM Length Thru Bore; Relubricatable; Double Land
Other Features	Single Row   Centering Spigot   With Set Screw
Category	Flange Block
UNSPSC	31171501
Harmonized Tariff Code	8483.20.40.40
Noun	Bearing
Keyword String	Flanged
Manufacturer URL	<a href="http://www.ina.com">http://www.ina.com</a>
Manufacturer Item Number	RME090
Weight / LBS	27.999
Nominal Bolt Circle Diameter Round	10.2 Inch   260.2 Millimeter
Length Thru Bore	3.976 Inch   101 Millimeter
Cartridge Pilot Depth	0.866 Inch   22 Millimeter
Bore	3.543 Inch   90 Millimeter



## NACHI BEARINGS TRAINING INDUSTRY

Cartridge Pilot Diameter	8.661 Inch   220 Millimeter
Bolt Spacing	7.2 Inch   183.8 Millimeter