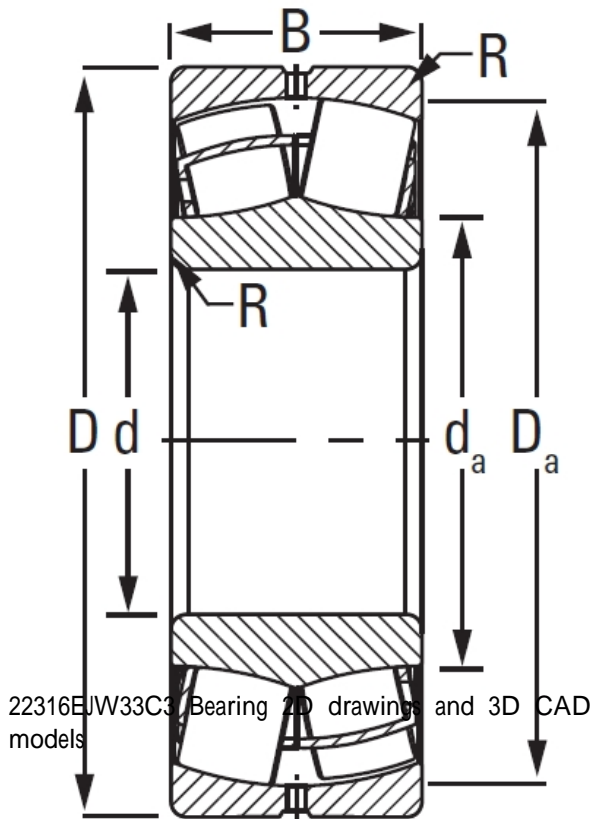




# NACHI BEARINGS TRAINING INDUSTRY



## Timken 22316EJW33C3 Spherical Roller Bearings

Bearing No. 22316EJW33C3

Design Unit	METRIC
Bearing Weight	6.4 Kg
Cage Type	EJ
UPC Code	087796026582
Cage Material	Steel
Superseded Part	22316CJW33C3
d	80 mm
D	170 mm
B - Inner Ring Width	58 mm
B - Outer Ring Width	58.000 mm
R - Inner Ring To Clear Radius <sup>1</sup>	2.0 mm
r - Outer Ring To Clear Radius <sup>2</sup>	2.0 mm
da - Inner Ring Backing Diameter	103.000 mm
Da - Outer Ring Backing Diameter	153.000 mm
C0 - Static Radial Rating	534000 N
C1(2) - Dynamic Radial Rating (Two-Rows)	499000 N
e - ISO Factor <sup>3</sup>	0.33
Y0 - ISO Factor <sup>4</sup>	2.06
Y1 - ISO Factor <sup>5</sup>	3.06
Y2 - ISO Factor <sup>6</sup>	2.01
Reference Thermal Speed Rating (Grease)	3200



## NACHI BEARINGS TRAINING INDUSTRY

Reference Thermal Speed Rating (Oil) <sup>7</sup>	3700
C <sub>g</sub> - Geometry Factor <sup>8</sup>	0.0638