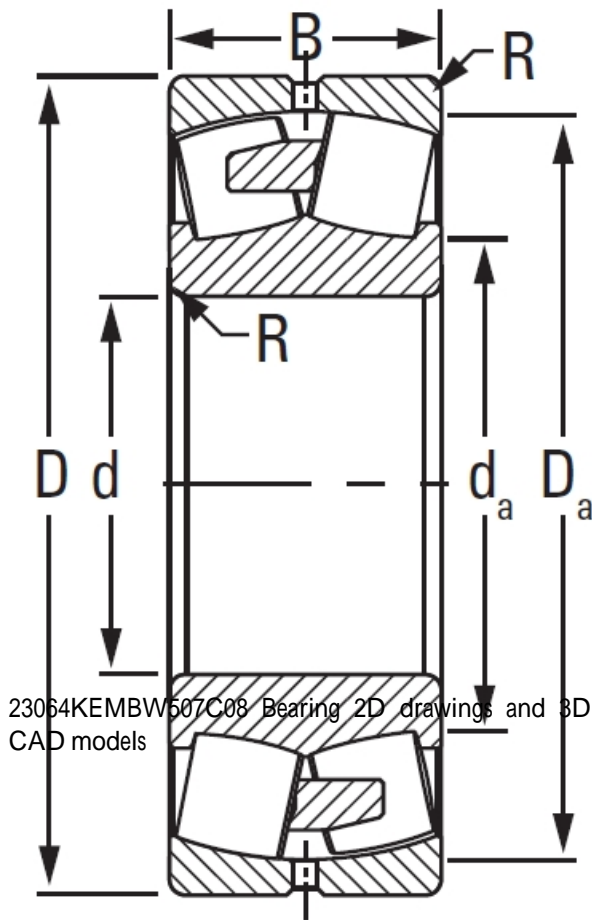




# NACHI BEARINGS TRAINING INDUSTRY

## Timken 23064KEMBW507C08 Spherical Roller Bearings

Bearing No. 23064KEMBW507C08



Design Unit	METRIC
Bore Taper	1/12
Bearing Weight	77.4 Kg
Cage Type	EMB
UPC Code	087796028654
Cage Material	Brass
Superseded Part	23064KYMBW507C08
d	320.000 mm
D	480.000 mm
B - Inner Ring Width	121 mm
B - Outer Ring Width	121.000 mm
R - Inner Ring To Clear Radius <sup>1</sup>	3.0 mm
r - Outer Ring To Clear Radius <sup>2</sup>	3.0 mm
da - Inner Ring Backing Diameter	355.000 mm
Da - Outer Ring Backing Diameter	444.000 mm
C0 - Static Radial Rating	3880000 N
C1(2) - Dynamic Radial Rating (Two-Rows)	2410000 N
e - ISO Factor <sup>3</sup>	0.23
Y0 - ISO Factor <sup>4</sup>	2.93
Y1 - ISO Factor <sup>5</sup>	4.36
Y2 - ISO Factor <sup>6</sup>	2.86
Reference Thermal Speed	880



## NACHI BEARINGS TRAINING INDUSTRY

Rating (Grease)	
Reference Thermal Speed Rating (Oil) <sup>7</sup>	1000
Cg - Geometry Factor <sup>8</sup>	0.1278